

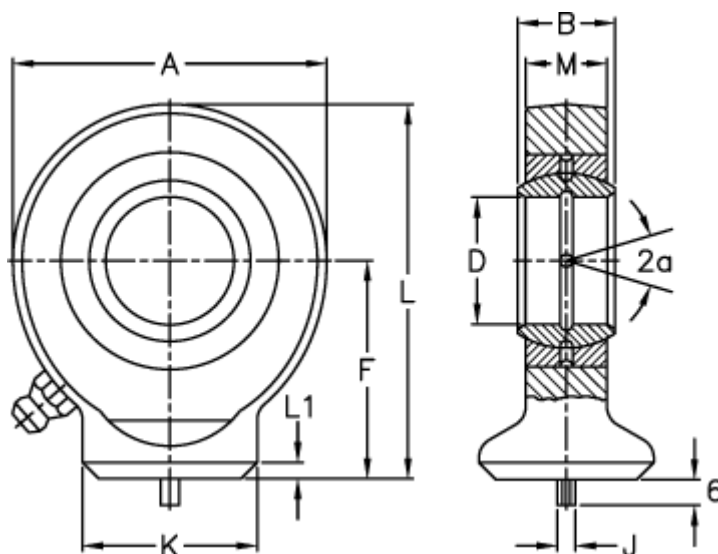
# Data Sheet



Article number: 03555030

Description: Fluro hydraulic rod end FS 30C

## Measures



A	= 73	L	= 87.5
a (degrees)	= 6	L1	= 4
B	= 22	M	= 19
D	= 30	Static load C0 (kN)	= 95
Dynamic load C (kN)	= 62	Weight	= 675
F	= 51		
J	= 4		
K	= 40		